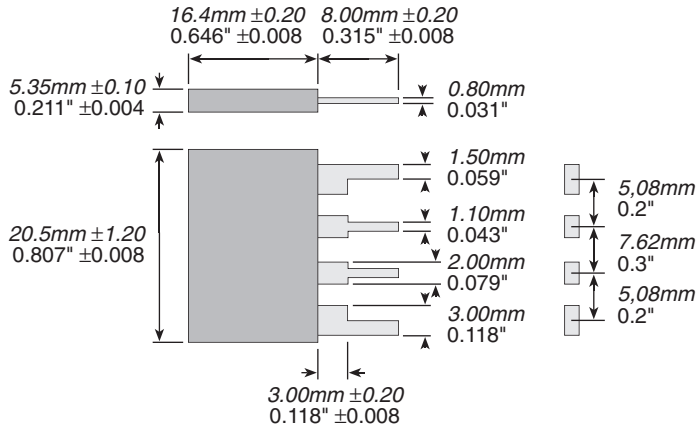


# CS3 Series

## Precision Current Sense Resistors RoHS Compliant



The resistor family line CS3, utilizes state of the art technology to provide a highly reliable resistor with a non inductive design. This makes the CS3 resistor ideal for many current monitoring and controls applications.

## SPECIFICATIONS

### Material

**Terminal Material:** Kelvin Terminals; silver plated & tinned  
**Encapsulation:** Polyester over resistance element

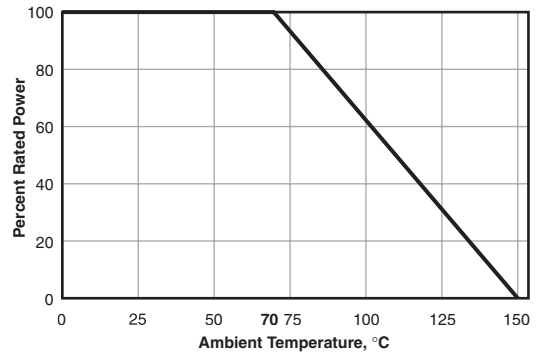
### Electrical

**Standard Resistance Values:** 1 mΩ - 1Ω (others on request)  
**Resistance Tolerances:** 1%, 2%, 5%  
**Temperature Coefficient:** TC referenced to 25°C, ΔR taken at -15°C and +105°C, 60ppm/°C  
**Power Rating:** 3W at 70°C max. 40Amp permanent

## FEATURES

- Values beginning at 1 milliohm
- Non Inductive Design
- Four terminal Kelvin connection

## DERATING



## TEST DATA

<b>Load Life</b>	(1,000 hours at rated power at 70°C)	ΔR 0.2% max.
<b>Moisture Resistance</b>	(Mil-Std-202, Method 106, Cond. A)	ΔR 0.2% max.
<b>Thermal Shock</b>	(Mil-Std-202, Method 107)	ΔR 0.2% max.

## STANDARD PART NUMBERS

Series Tolerance	CS3F 1%	Series Tolerance	CS3F 1%
<b>Ohms</b>		<b>Ohms</b>	
0.001	CS3FR001E	0.015	CS3FR015E
0.002	CS3FR002E	0.02	CS3FR020E
0.003	CS3FR003E	0.025	CS3FR025E
0.005	CS3FR005E	0.03	CS3FR030E
0.01	CS3FR010E	0.036	CS3FR036E
		0.05	CS3FR050E

## ORDERING INFORMATION

**CS3JR050E**

Style	Tolerance	Ohms	RoHS Compliant
F = 1%	R = Decimal	Non-compliant	
J = 5%	Example:	version not recommended for new designs	
K = 10%	R010 = 0.010		
	R005 = 0.005		