

Ohmite's new TBH25 TO-220 style resistors are designed for a variety of uses that require intermediate heatsinkable power at an economical price. Engineered for industrial applications, these resistors deliver reliable performance with the traditional high quality standards that Ohmite is known for.

FEATURES

- 25 Watts, @ 25°C case temperature
- Non-Inductive Performance
- Low Thermal Resistance
- Anti-static tube packaging available
- Economically priced

APPLICATIONS

- Power Supplies
- Industrial Controls
- Automotive Steering
- Pre-load/Damping
- Snubber/Bleeder

SPECIFICATIONS

Material

Resistor: Thick film element

Case: High Temperature Plastic

Terminals: Solder coated phosphor bronze

PERFORMANCE CHARACTERISTICS

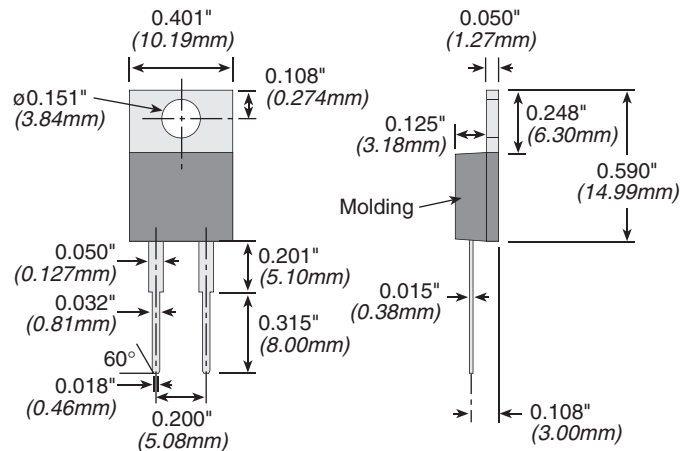
Derating	100% @ 25°C to 0% @ 150°C curve referenced to case temperature
Dielectric Strength	1000 VDC
Max. Mounting Torque	0.9Nm
Operating Temperature Range	-55°C to +150°C
Temperature Coefficient	2-10 ohm @ ±100ppm, 11-10k ohm @ ±50ppm
Thermal Resistance	5°C/W

TEST DATA

Load Life	(1000hrs @ rated power)	max. ΔR ±1%
Moisture Resistance	(MIL-STD-202, method 106)	max. ΔR ±0.5%
Short Time Overload	(2x rated power, not to exceed 1.5x max. operating voltage)	max. ΔR ±0.3%
Solderability	(MIL-STD-202, method 208)	
Thermal Shock	(MIL-STD-202, method 107, cond. F)	max. ΔR ±0.3%
Terminal Strength	(MIL-STD-202, method 211, cond. A (pull test) 2.4N)	max. ΔR ±0.2%
Vibration	(MIL-STD-202, method 204, cond. D)	max. ΔR ±0.2%

TBH Series

25W T0220 Resistors



Style	Tolerance	Watts*	Ohms	Max. Operating Voltage
TBH	1%, 5%	25	2.0Ω - 10K	350V

*Rating based on 25°C case temperature. The case temperature is to be used for the purposes of establishing the applied power limit. The case temperature must be made with thermocouple contacting the center of the component's mounting tab mounted on designated heat sink.

ORDERING INFORMATION

E = RoHS compliant
Available Jan. 2006

T B H 2 5 P 2 R 0 0 J E

Series	Ohm Value Example: 10R0 = 10 ohms 1K50 = 1500 ohms	Tolerance J = 5%, standard F = 1%, consult factory
--------	---	--

STOCK PART NUMBERS

Ohms	Part Number 5% Tolerance	Ohms	Part Number 5% Tolerance
2	TBH25P2R00J	100	TBH25P100RJ
7.5	TBH25P7R50J	150	TBH25P150RJ
10	TBH25P10R0J	220	TBH25P220RJ
15	TBH25P15R0J	240	TBH25P240RJ
22	TBH25P22R0J	330	TBH25P330RJ
30	TBH25P30R0J	470	TBH25P470RJ
33	TBH25P33R0J	510	TBH25P510RJ
47	TBH25P47R0J	1000	TBH25P1K00J
51	TBH25P51R0J	1500	TBH25P1K50J
75	TBH25P75R0J	2000	TBH25P2K00J
		2700	TBH25P2K70J
		10,000	TBH25P10K0J