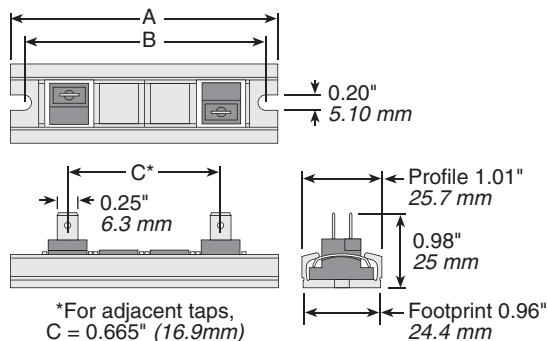


TL Series

Heat Sinkable Thick Film Power Resistors



Series	Ultra* Wattage	Std** Wattage	Ohm Range	A (mm)	B (mm)	Operating Voltage VAC	Dielectric Withstanding Voltage VAC
TL54	35	27	0.3 - 1 Meg	54	46	1200	2500
TL71	96	71	1.0 - 2 Meg	71	63	1200	2500
TL88	155	114	1.5 - 3 Meg	88	80	1200	2500
TL104	215	158	2.0 - 4 Meg	104	96	1200	2500
†TL122	275	202	2.0 - 4 Meg	122	114	1200	2500

* For properly heat sinked, untrimmed resistors - see chart

** For properly heat sinked, trimmed resistors - see chart

† Power Ratings are theoretical. Consult Factory for details.

The TL Series add heat sinkable options to the thick film resistor family. The resistor element is packaged with plastic insulators, and quick-connect terminals in a symmetrical aluminum profile for easy heat sink mounting. Special tapped configurations are offered to reduce on board component count.

Efficient thermal packaging provides improved heat conduction to the heat sink. Self-insulating package design increases voltage withstanding characteristics when compared to traditional aluminum housings. The in line mounting profile makes the TL Series easily adaptable to most heat sink systems. Thermal compound is always recommended when heat sinking.

FEATURES

- Very low inductance
- Low profile design
- In-Line Mounting Profile
- 1/4" Quick connect terminals
- Consult factory for common, isolated, or special multiple tap options.

APPLICATIONS

- Semiconductor Balancing
- Frequency Converters
- Snubber
- In-Rush Current Limiter
- Bleeder Resistor
- Power Switching
- Voltage Dividers

SPECIFICATIONS

Material

Resistive Element: Thick Film on Alumina

Housing: Aluminum

Insulators: Glass reinforced high temperature Valox®

Terminals: Tinned brass

Electrical

Power Range: 27 – 275 watts

Resistance Range:
0.3 ohm – 4 megohm

Tolerance:

Ultra Power (U Style): ±10% std;
Standard Power: ±10% std;
5% and 1% available

Temperature Coefficient:
±100 PPM

Test Voltage for 1 Minute:
6000 VDC/2500 VAC

Working Voltage: 1200 VAC

External Creeping Distance:
12mm

Temperature Limits: -40°C to +125°C

Insulation: >100² Mohm/500V

Air Distance, Terminal to Ground: 7mm

Inductance: 50-100 nH

STANDARD SPECIFICATIONS

Tolerance	Ultra Power	±10%, 20% only
	Std Power	±10% Std., ±1%, ±5%
Temperature Coefficient	±250 PPM	
Test Voltage for 1 min	6000 VDC/2500 VAC	
Working Voltage	1200 VAC	
Temperature Limits	-40°C - +125°C	
Inductance	50-100nH	

ELECTRICAL/MECHANICAL SPECS

Type Values for Standard Resistors		TL54	TL71	TL88	TL104	TL122	
Max. Rated Wattage	W	35	96	155	215	275	
Nominal Power	W	18	48	78	108	137	
Surge Load in 10 sec	W	72	192	312	432	548	
Max Voltage Between Terminal	V	1000	2000	2500	2500	2500	
Resistance Min	ohm	0.3	1	1.5	2	2	
Resistance Max	ohm	1 meg	2 meg	3 meg	4 meg	4 meg	
Mechanics:	A	mm	54	71	88	104	122
	B	mm	46	63	80	96	114
	C	mm	16.9	33.8	50.7	67.6	84.5
Weight	g	26	33	44	55	65	

STANDARD VALUES

Ohmic value	Part No. Prefix Suffix	TL54K	TL71K	TL88K	TL104K	TL122K
0.5	R50	✓	✓	✓	✓	✓
1.0	1R0	✓	✓	✓	✓	✓
1.5	1R5	✓	✓	✓	✓	✓
2.0	2R0	✓	✓	✓	✓	✓
3.0	3R0	✓	✓	✓	✓	✓
4.0	4R0	✓	✓	✓	✓	✓
5.0	5R1	✓	✓	✓	✓	✓
10.0	10R	✓	✓	✓	✓	✓
15.0	15R	✓	✓	✓	✓	✓
22.0	22R	✓	✓	✓	✓	✓
47.0	47R	✓	✓	✓	✓	✓
75.0	75R	✓	✓	✓	✓	✓
100.0	100	✓	✓	✓	✓	✓
150.0	150	✓	✓	✓	✓	✓
220.0	220	✓	✓	✓	✓	✓

Ohmic value	Part No. Prefix Suffix	TL54K	TL71K	TL88K	TL104K	TL122K
240.0	240	✓	✓	✓	✓	✓
470.0	470	✓	✓	✓	✓	✓
510.0	510	✓	✓	✓	✓	✓
750.0	750	✓	✓	✓	✓	✓
1,000.0	1K0	✓	✓	✓	✓	✓
1,100.0	1K1	✓	✓	✓	✓	✓
2,200.0	2K2	✓	✓	✓	✓	✓
4,700.0	4K7	✖	✖	✖	✖	✖
5,100.0	5K1	✖	✖	✖	✖	✖
10,000.0	10K	✖	✖	✖	✖	✖
22,000.0	22K	✖	✖	✖	✖	✖
51,000.0	51K	✖	✖	✖	✖	✖

✓ = Standard values
 ✖ = Non-standard values subject to minimum handling charge per item

THERMAL RESISTANCE (°C/W)

	TL54	TL71	TL88	TL104
Ultra Power (10% Tolerance)	1.26	0.53	0.34	0.25
Std Power (5% - 3% Tolerance)	1.67	0.70	0.45	0.33

Consult factory for multiple tap options in common, isolated, and special configurations.

ORDERING INFORMATION

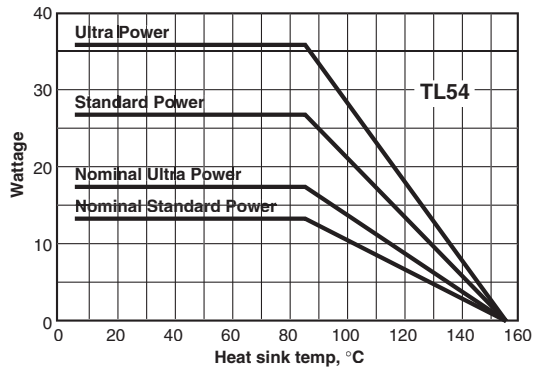
E = RoHS compliant
Available Jan. 2006

TL104KUR500E

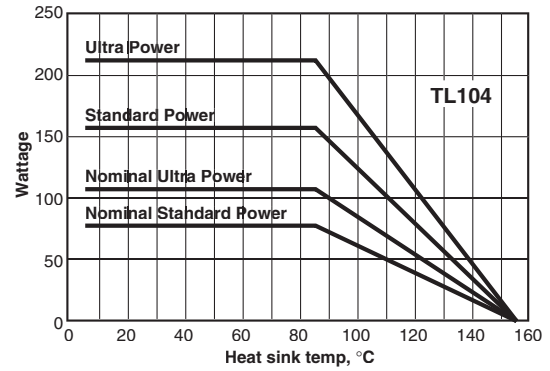
Size	Tolerance	Power	Ohms
	F = 1%	Blank = standard	R500 = 0.50
	J = 5%	U = ultra	10R0 = 10.0
	K = 10%		1K00 = 1,000
			1M00 = 1,000,000

MAXIMUM AND NOMINAL POWER RATINGS FOR ULTRA POWER AND STANDARD POWER RESISTORS

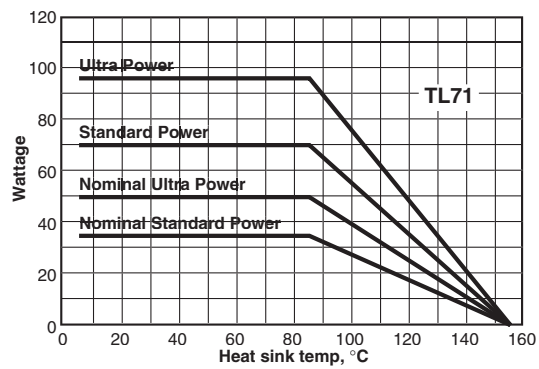
TL54



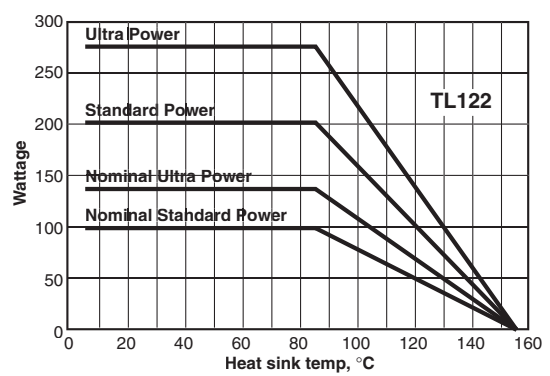
TL104



TL71



TL122



TL88

