

HCR331 SERIES

Hybrid Card Reader

RS232 Interface

Thank you for purchasing the HCR331 series products.

The HCR331 RS232 Hybrid Card Reader series is ideal for retail systems, time keeping systems, security systems and other card reader related systems. The HCR331 are designed to offer the user a hybrid card reader solution that will complement many applications; except reading credit cards and Driver Licenses (AAMVA and California standard) and its uniquely designed to smart card that the integrated smart card processing is EMV Level 1 type approved.

FEATURES

- EMV certificate.
- Read/write CPU and memory card.
- Light weight: 165g (without adapter)
- Compact size: 107L*62W*26H (mm)
- LED indicator indicate card status
- Single, dual, or triple track versions allow for reading all types of magnetic cards, including credit cards and drivers licenses.
- Firmware upgradeable

CONFIGURATION

- HCR331-12 Dual track 1&2
- HCR331-23 Dual track 2&3
- HCR331-33 Triple track 1&2&3

Note: Optional configuration is available.

AGENCY APPROVAL

- Specification for FCC class B
- Specification for UL/CUL
- Specification for CE class B, CISPR 22 class B
- Product Certificate by Taiwan BSMI (Bureau of Standards, Metrology and Inspection)

EMVCo Level 1 Type Approved

HCR331 has been tested in accordance and for sufficient conformance with the EMV Specifications, Version 3.1.1, that improved security to reduce fraud and lower telecommunications costs. HCR331 fully integrated smart card processing is EMV Level 1 type approved.

WARRANTY

This product is served under one-year warranty to the original purchaser. Within the warranty period, merchandise found to defective will be repaired or replaced. This warranty applies to the products only under the normal use of the original purchaser, and in no circumstances covers incidental or consequential damages though consumers' misuse or modification of the products.

This product is served under one-year warranty to the original purchaser. Within the warranty period, merchandise found to be defective would be repaired or replaced. This warranty applies to the products only under the normal use of the original purchasers, and in no circumstances covers incidental or consequential damages through users' misuse or modification of the products.

SETUP

1. Turn OFF power to your computer.
2. Connect HCR331 DB9 of interface cable to a free serial port of the computer.
3. Fit power cord into DB9 connector of interface cable.
4. Plug in the power adapter to proper AC outlet, see instruction on adapter of the proper voltage.
5. Turn ON power to the computer.

SPECIFICATIONS

IC Card Type	ISO 7816-1, 2, 3, 4	Memory card: Synchronous type	CPU card: Asynchronous type, T=0 or T=1
Magnetic Card Type	ISO standard card	CA old DMV	AAMVA
	Read high or low coercivity magnetic stripes (300-4000oe)		
Card Operation Speed	4 to 40 in/sec		
Power Requirements	DC 5V ±5%		
Operating Temp	-10°C to +55°C, storage temp: -30°C to +70°C		
Operating Humidity	10% to 90% relative humidity		
Magnetic Head Life	500K Min., 1M optional		
IC Card Contact Life	300K Min.		
Dimensions	107L*62W*26H (mm)		
Weight	165g without power pack		
Interface Cable	1.5M, 9 pin D-sub female with molded power jack		

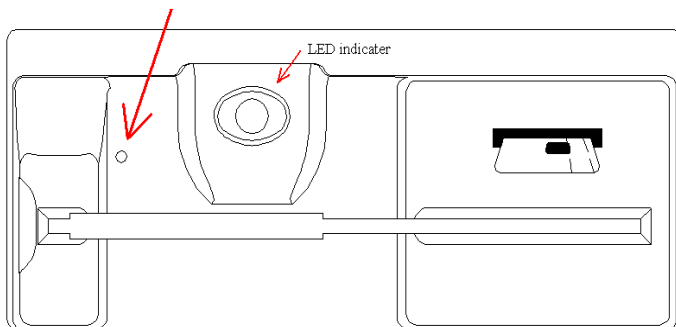
MAGNETIC CARD OUTPUT DATA FORMAT

Single track	<STX><SS>< TRACK1 or 2 or 3 DATA><ES><LRC><ETX>				
Dual track	<STX><SS>< TRACK1or 2 DATA><ES><LRC><DLE> <STX><SS>< TRACK2 or 3 DATA><ES><LRC><ETX>				
Triple track	<STX><SS>< TRACK1 DATA><ES><LRC><DLE><STX><SS>< TRACK2 DATA><ES><LRC><DLE>				
	<STX><SS>< TRACK1 DATA><ES><LRC><ETX>				
where SS is Start Sentinel and ES is End Sentinel. LRC is optional. STX is Start Text, ETX is End Text, and DLE is Data Link Escape.					
	Track 1	Track 2	Track 3		
SS	% (ISO, DMV, AAMVA)	; (ISO, DMV, AAMVA)	; (ISO)	! (DMV)	% (AAMVA)
ES	? (ISO, DMV, AAMVA)				

Trouble Shooting

When the card is locked into the reader at any time, user may use a needle or something shaped like one to insert the hole near the LED indicator on left side for ejecting the card, no matter the power of reader is on or off.

Using a needle or something shaped like one to insert the hole for ejecting card.



NOTICE: The issuer of this manual has made every effort to provide accurate information. The issuer should not be held liable for any technical and editorial omission or errors made herein; nor for incidental consequential damages resulting from the furnishing, performance or use of this material. This document contains proprietary information that is protected by copyright. All rights are reserved. No part of this document may be photocopied, reproduced, or translated without the prior written consent of the issuer. The information provided in this manual is subject to change without notice.